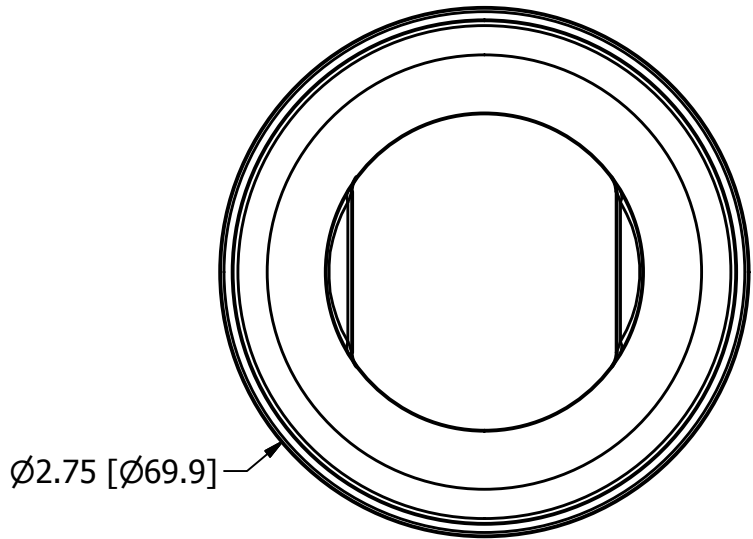
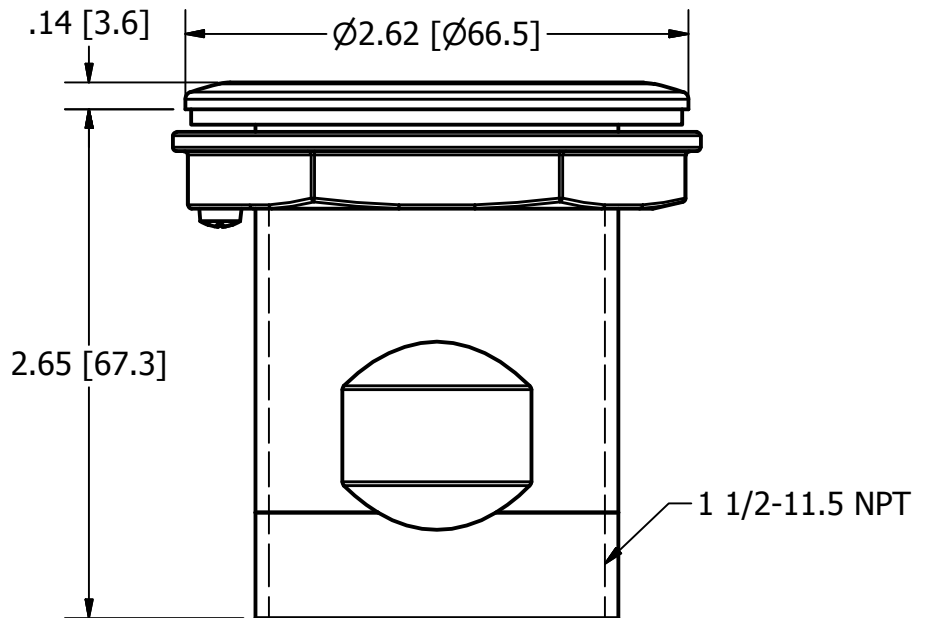
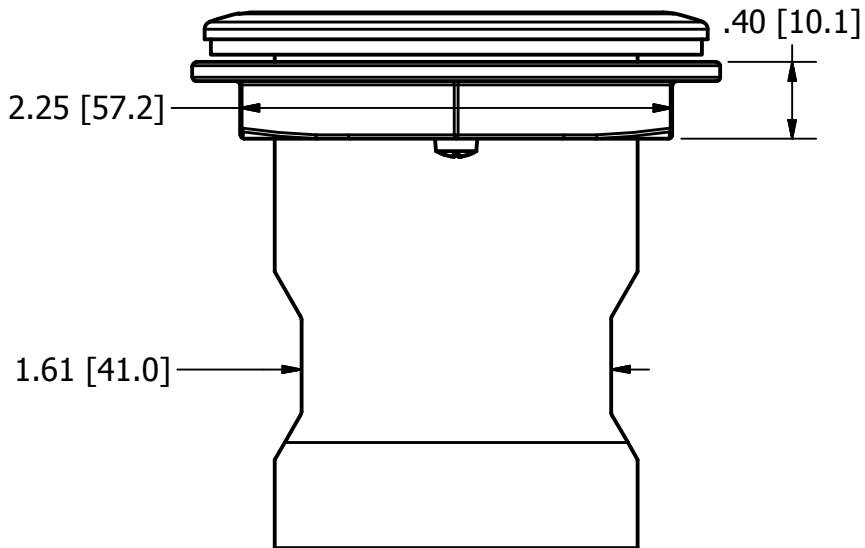

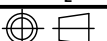


Marketing Drawing



Ø2.75 [Ø69.9]



Part Number			Rev	Description		
TH-150-250-Ti			0	Thru Hull 1.5", 2.5" Short, Forged w/ Nut, titanium		
Paper	Standards	Tolerance		 140 Industrial Loop Orange Park, FL 32073 Phone: 800.874.4506 www.gemlux.com	Scale	Sheet
A	INCHES[MM]	X.x"	±.100"		1:1	1 OF 1
		X.xx"	±.020"			
		X.xxx"	±.005"			