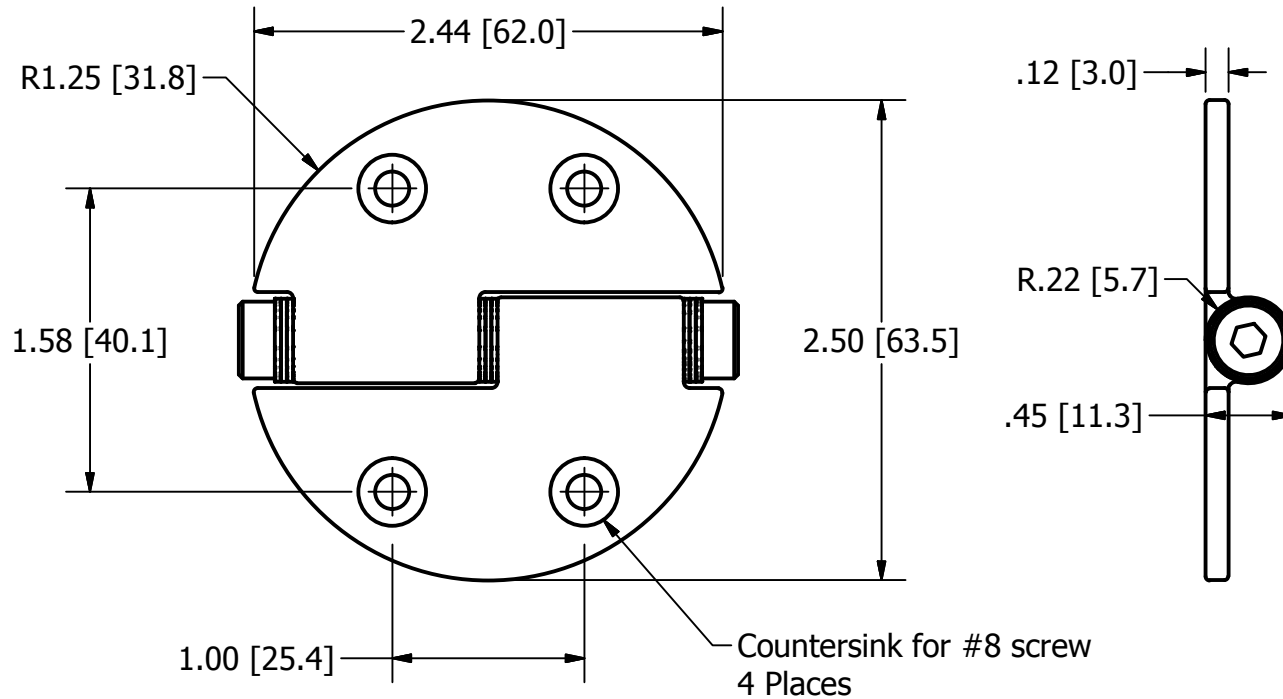


# Marketing Drawing for FH-1230-FM



**Description**  
Friction Hinge 2.5" Round, Flush Mount

Size	Part No	Rev	Scale
A	FH-1230-FM	1	1:1

Phone: 800.874.4506

www.gemlux.com