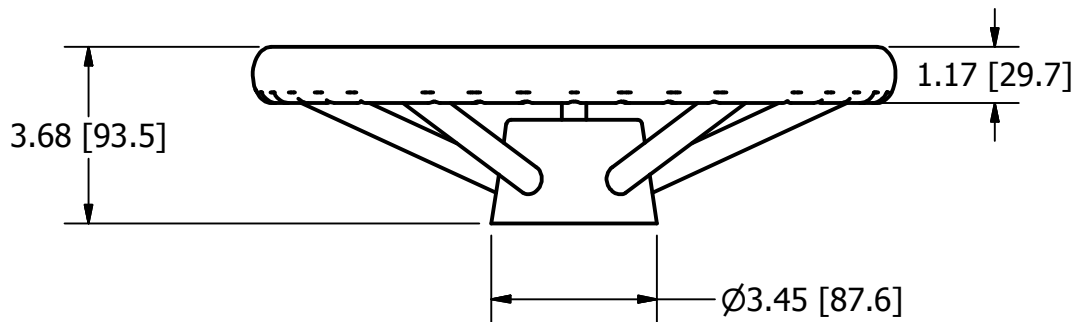
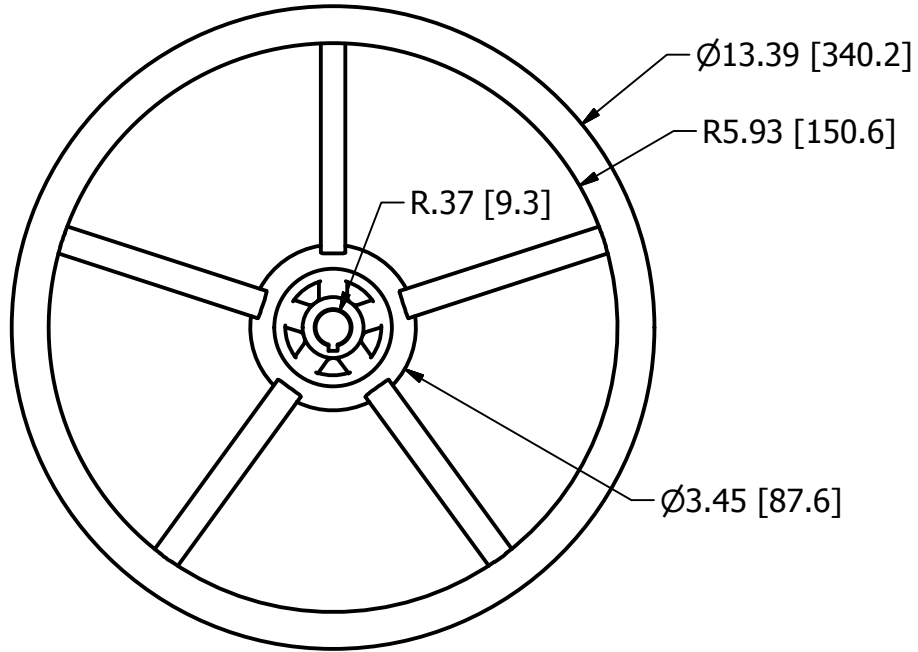


Marketing Drawing for 150103



Description
13" Steering Wheel FG

| Size | Part No | Rev | Scale |
|------|---------|-----|-------|
| A | 150103 | 0 | 1:4 |

Phone: 800.874.4506

www.gemlux.com