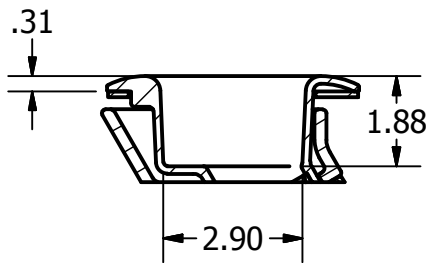
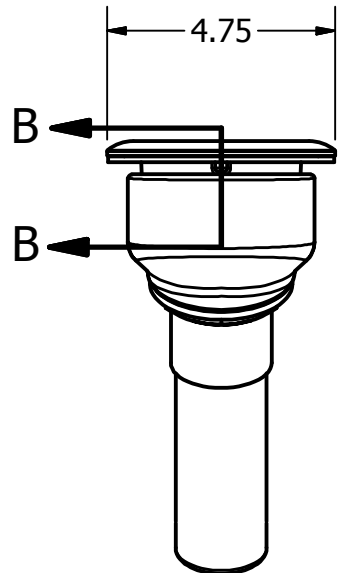
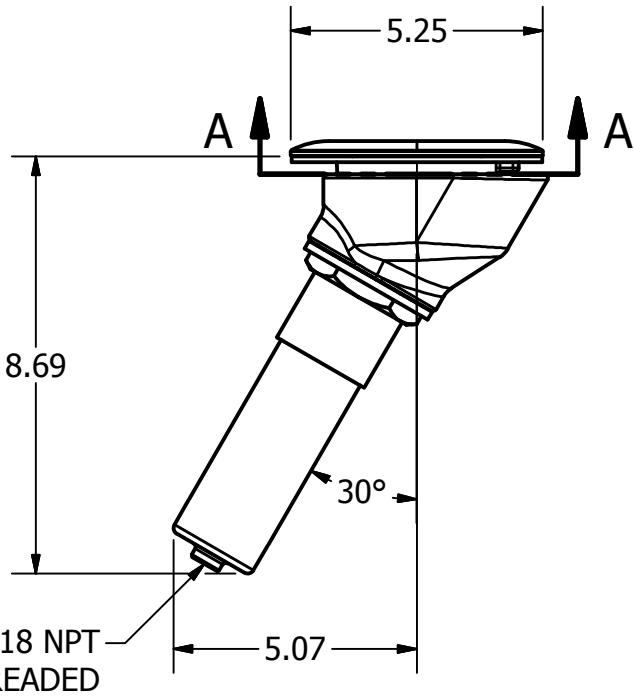
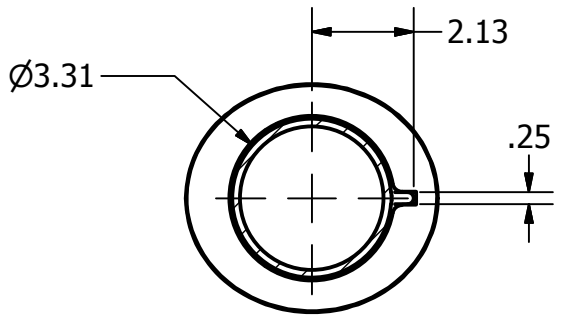


# MARKETING DRAWING



SECTION B-B  
CUP DIMENSIONS



SECTION A-A  
CUTOUT DIMENSIONS

INSTALLATION THICKNESS  
MIN: 0.250"  
MAX: 1.625"



Description  
SCREWLESS CUP AND ROD  
HOLDER, 30 DEGREES

Size	Part No	Rev	Scale
A	105545	0	1/4

Phone: 800.874.4506

www.gemlux.com